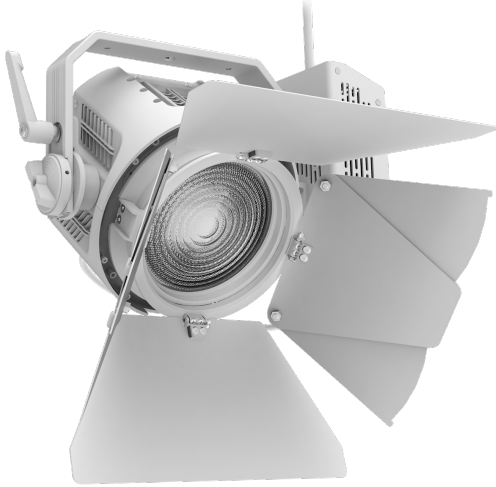


P5F Fresnel Light (Clamp)

175W LED/ 12°- 55°



- Cine-Grade Light Quality
- Point-Source LED
- DMX Controllable
- 175W Power Draw
- Compact (< 12" of Vertical Space)

ORDERING GUIDE

FLXP5F - - - **CLP** - **PSV** -

Mode

CLR All Modes
EZ All EZ Modes
RGB RGB Mode Only
CCT Tunable CCT Mode Only
3200 Fixed 3200K
5600 Fixed 5600K

Finish

WH White
BK Black

Mount

CLP Clamp Mount

Power Supply & Control

PSV Power Supply

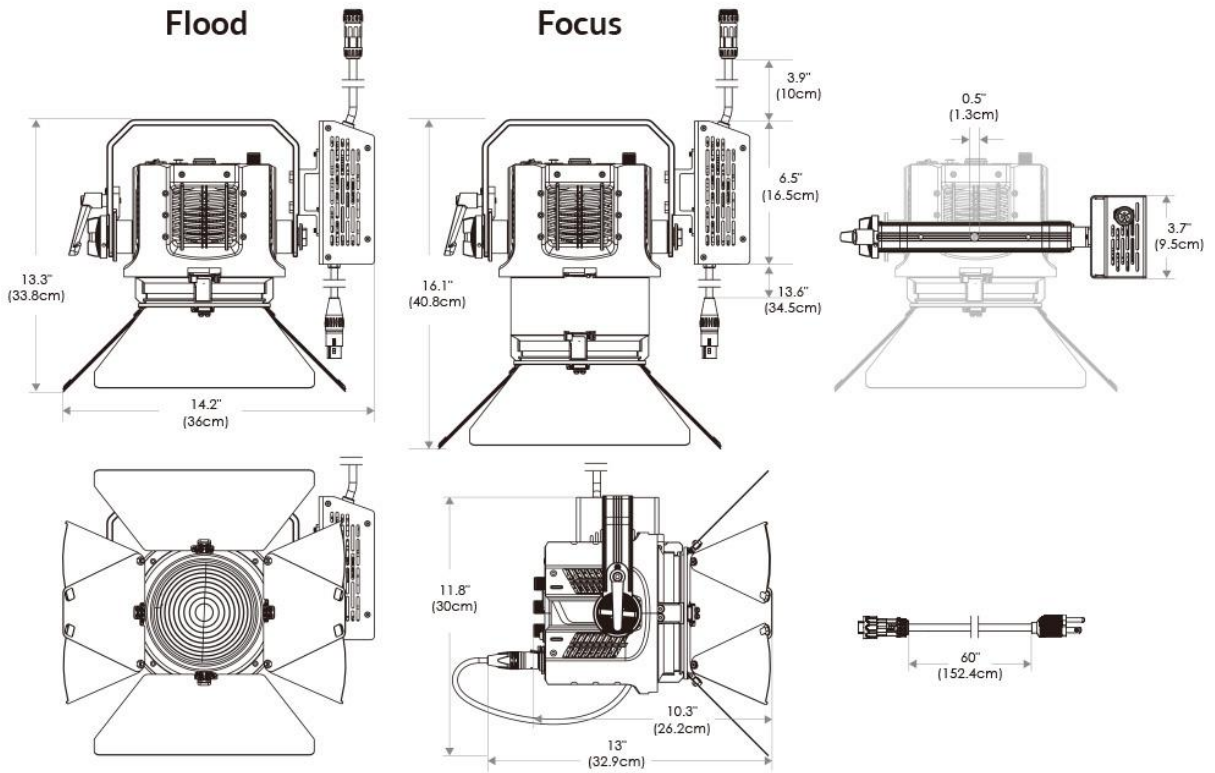
Plug/Connection

US US 120V
EU EU 220V

SPECIFICATIONS

Beam Angle	12°- 55°
CRI / TLCI	95/90 typical (in CCT Mode of 2800K-6500K)
Dimming	100% - 0% flicker free
AC Power Draw	175W max
AC Input	100 - 240V AC, 50 - 60Hz
Remote Control	DMX 512
Cooling	Fan Cooled
Acoustic Noise	23 dBA (Auto Mode)
Operating Temp.	32 - 104°F (0 - 40°C)
Weight (Fixture + Power Supply)	9.6lb / 4.4kg

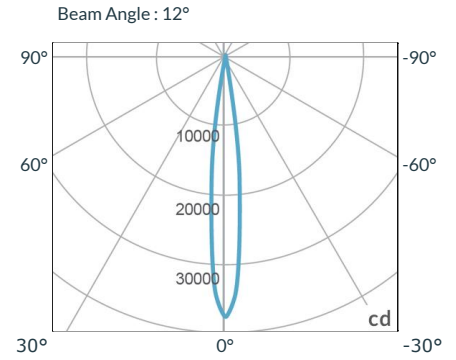
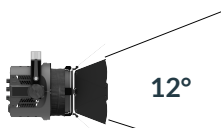
MECHANICAL FIGURES



PHOTOMETRIC DATA

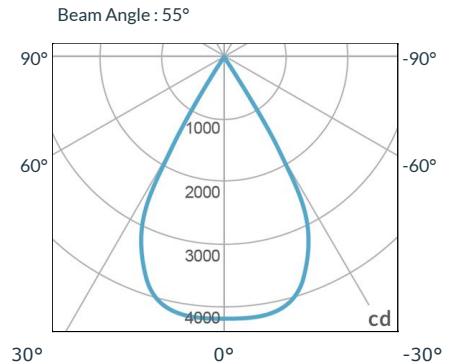
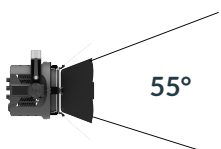
Focus

Distance		3' (~0.9 m)	10' (~3.0 m)	15' (~4.6 m)
@3200K	fc	3150	359	128
	lux	33907	3865	1378
@5600K	fc	3296	376	134
	lux	35478	4048	1443
Beam Diameter		Ø 0.7' (~0.2m)	Ø 2.1' (~0.6m)	Ø 3.5' (~1.1m)



Flood

Distance		3' (~0.9 m)	10' (~3.0 m)	15' (~4.6 m)
@3200K	fc	385	45	17
	lux	4145	485	183
@5600K	fc	406	47	18
	lux	4371	506	194
Beam Diameter		Ø 0.9' (~0.6m)	Ø 8.6' (~2.6m)	Ø 14.4' (~4.4m)



ACCESSORIES

(specify finish by adding -BK or -WH)



**DMX 6 Channel Controller
FLXCNTL-DMX6**